
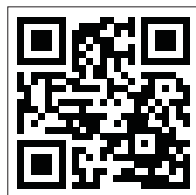
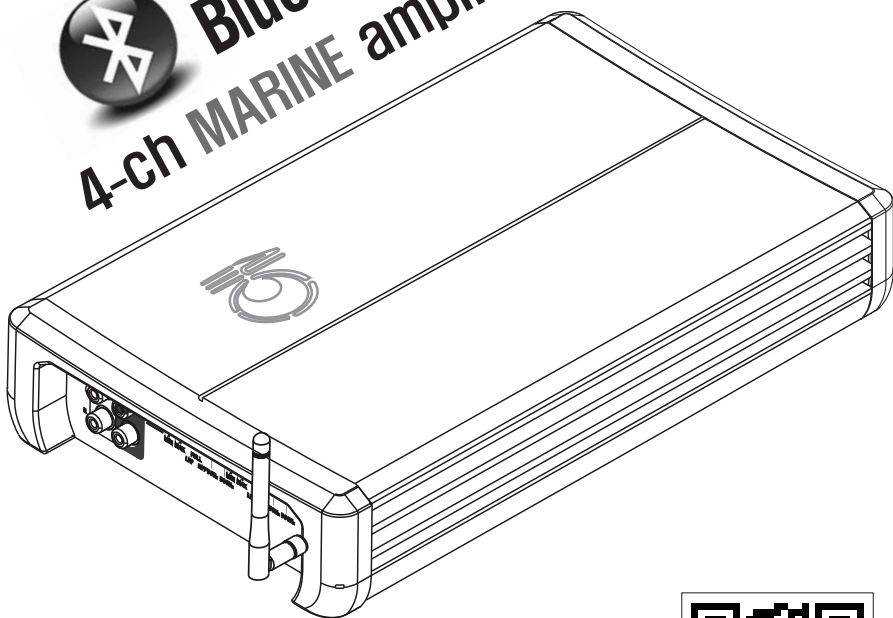


Owner's Manual

BT 900.4M

 **Bluetooth[®]**
4-ch MARINE amplifier



reaudio.com

THANK YOU

for purchasing RE AUDIO Bluetooth® “MARINE” amplifiers BT-900.4M.

With almost no sacrifice on sound quality, BT-900.4M easily plays the music from your mobile phone or tablet through Bluetooth® connection.

It provides users with intelligent, convenient, safe and stable both “in-car” and “marine” multiple sound play solution. It is carefully designed for audio enthusiasts persuing high-fidelity sound. It is built with strong output power, perfect sound quality, and self protection. Whether listening to classical music or the world's loudest rock music, it will bring you an unprecedented music experience.

BT-900.4M features both remote turn on signal output and analog audio output. This makes it easy to connect other amplifiers and it will acts as a host amplifier to work with other amplifiers synchronously. The intelligent engine monitoring fucntions can automatically shutdown amplifier to protect battery from over discharge.

All RE AUDIO products are manufactured under strict quality control system and we only use high quality components.

Proper installation will maximize the system’s overall performance. It is recommended that you have our product installed by an authorized RE AUDIO dealer. However, If you decide to install it by yourself, please carefully read through this manual to make your installation as easy and reliable as possible.

If you need more information, your RE Audio Dealer will be glad to help. To locate a RE Audio Dealer near you, go to our web site and look for “Locate Dealer”.

FEATURES

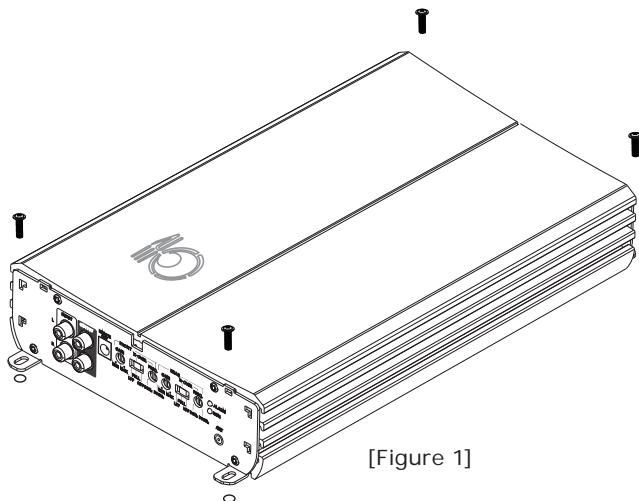
- Corrosion-resistant ABYC compliant connectors
- Meets or exceeds ASTM d4329 (UV exposure)
- Built-in professional Bluetooth® signal processor module
- Intelligent switching between Bluetooth® and RCA signal
- Automatic Bluetooth® on and off
- Bluetooth® audio signal and remote turn on signal can be passed to other amplifiers
- SMD dedicated audio chip device
- Full MOSFET DC-DC PWM power supply
- Overload, shortcircuit, overheat, under voltage protection
- ROHS compliant production technique

INSTALLATION

- Note that the amplifier generates heat so a well ventilated place is necessary
- Use at least 8-gauge wire for power and ground connections
- Use at least 12-gauge wire for speaker connections
- Use at least 16-gauge wire for remote connection
- Keep the wire connections as short as possible in order to minimize power loss and provide a higher audio out quality
- Use the shortest ground connection to the chassis of the vessel or vehicle and make sure that the paint is removed at the connection point
- Connect the remote input to the remote/antenna output of the head unit
- Mount the fuse holder within 200mm(8") of the vessel's or vehicle's battery. Use a fuse equal to that specified for your amplifier if a large, single +12V line is run which feeds more than one amplifier add up all required fuse ratings and use the total rating for the fuse
- Connect the speaker to the amplifier observing the correct phasing.
- Make sure that none of the speaker connections can touch the chassis of the vessel or vehicle
- Connect the RCA inputs to the appropriate signal source using only the highest quality RCA cables
- Make sure that the RCA and speaker cables do not run parallel to the +12V wiring

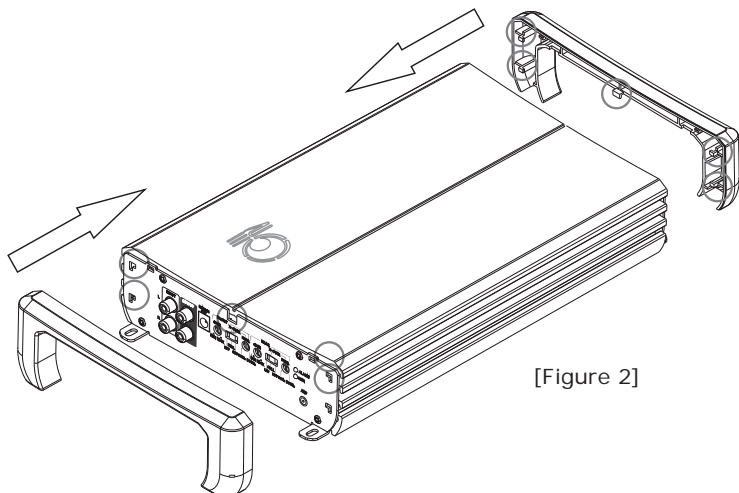
INSTALLATION *(continued)*

1. Choose a flat, well-ventilated place to install amplifier.
2. Fix the amplifier using included screws as shown in Figure 1.



[Figure 1]

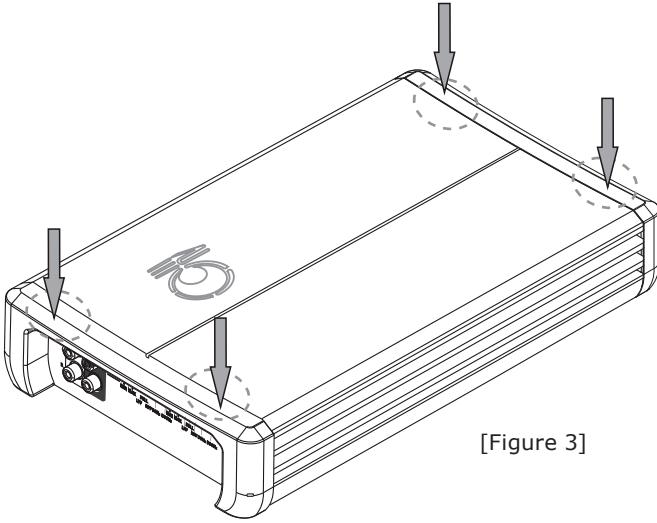
3. Each end cap has 5 mounting pins that match 5 holes on the amplifier. Hold the end cap by both ends and push it towards the amplifier as shown in Figure 2.



[Figure 2]

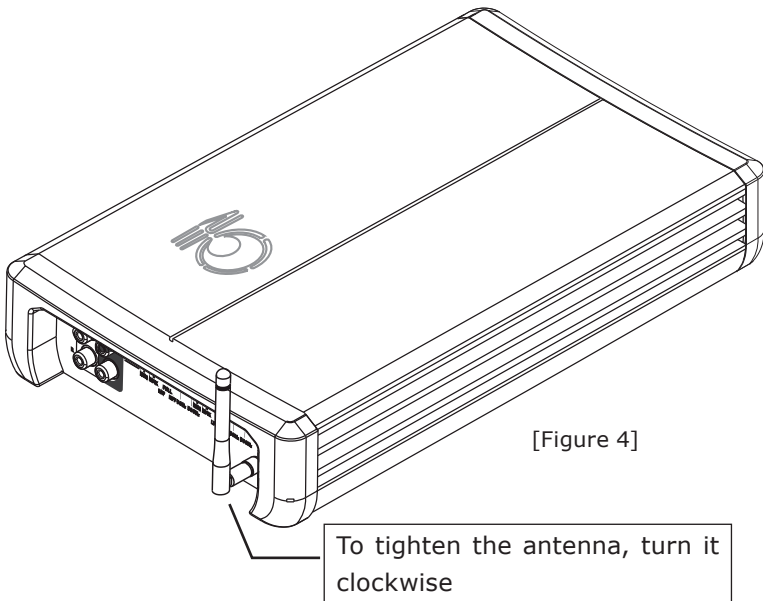
INSTALLATION (continued)

4. Press the end caps downward as shown in Figure 3.



[Figure 3]

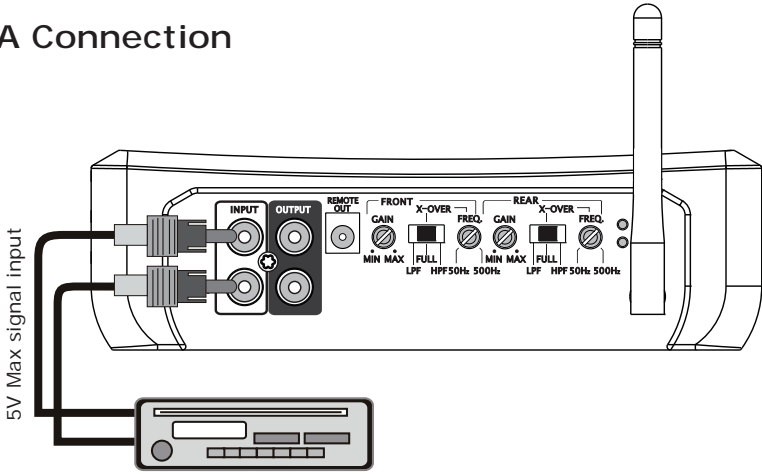
5. Attach the antenna as shown in Figure 4.



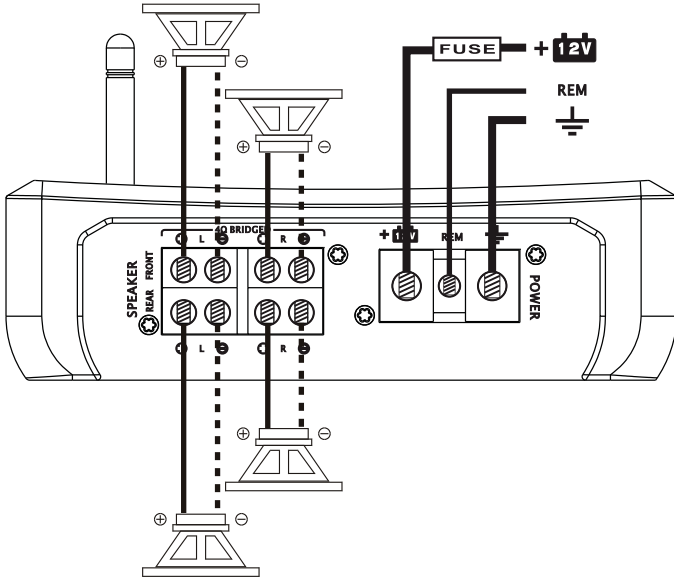
[Figure 4]

BASIC WIRING

RCA Connection

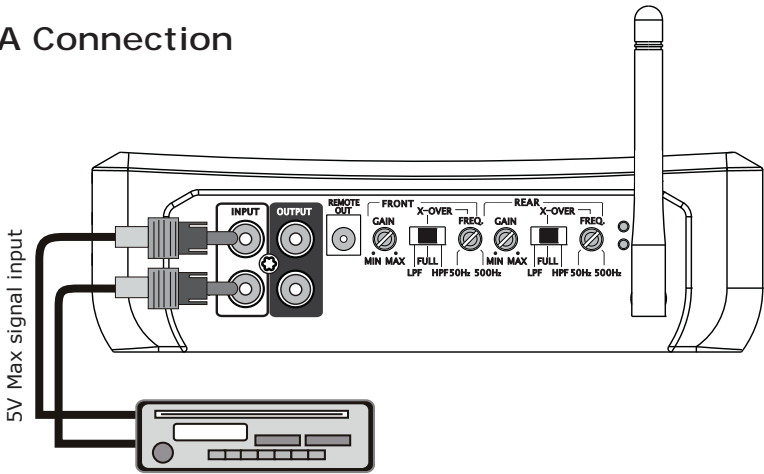


Power & Speaker Connection

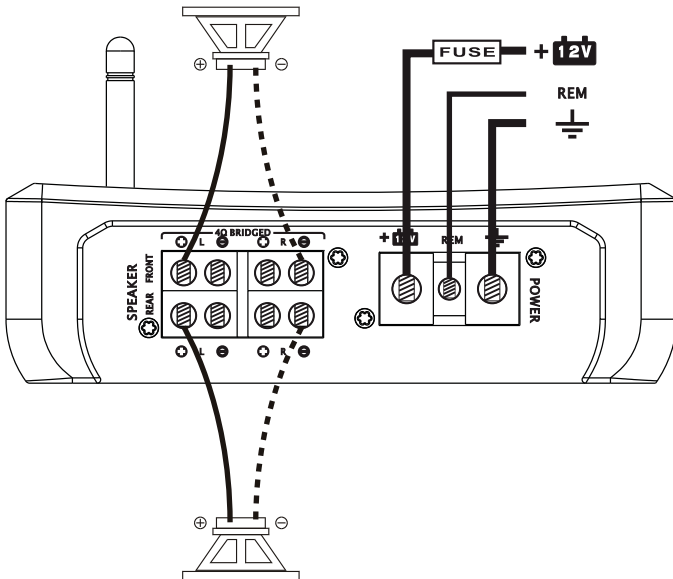


BRIDGED WIRING

RCA Connection



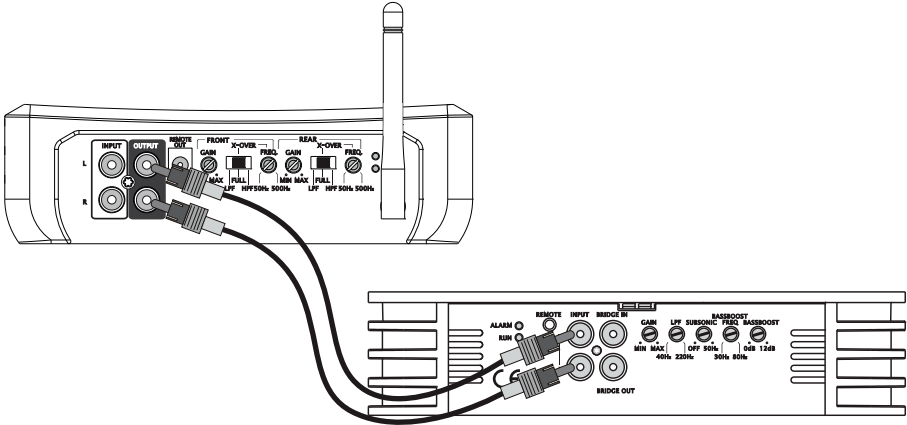
Power & Speaker Connection



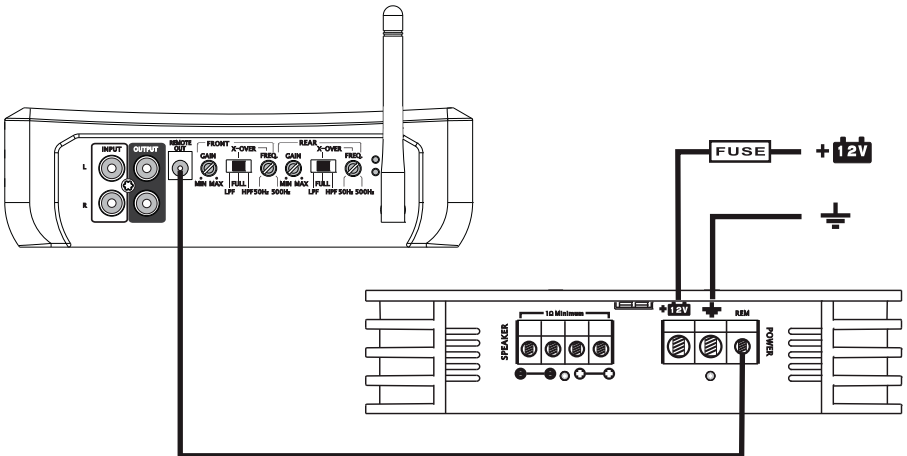
ADD-ON WIRING

You could add an external amplifier for bass as shown below.

RCA Connection



Remote Output Connection



Pairing with a Bluetooth® Device

- Turn on your Bluetooth® enabled mobile phones or tablets
- Referring to your device's manual, go to "Bluetooth"(or similar) menu and enable it
- "Search" for Bluetooth® device to add a new device
- Choose "RE AUDIO" among found devices
- Your device will be paired with BT-900.4M automatically
- You'll hear a beep from the speaker when your device is connected to BT-900.4M for the first time
- The LED on top of BT-900.4M enters into "slow flashing" mode when you play music through Bluetooth® audio signal connection

NOTE:

1. When BT-900.4M's remote is on and the battery voltage is higher than 11V, your device can connect to BT-900.4M. On the other hand, when the battery voltage is lower than 10V, BT-900.4M enters into low-voltage protection and disconnect with your device automatically.
2. Make sure the engine is on when you use Bluetooth device to turn on or off BT-900.4M.
3. For some Bluetooth enabled phones or tablets, you will be asked to enter a Passcode or PIN. Enter "0000" to pair up with BT-900.4M.

SPECIFICATION

Sampling Frequency		44.1KHz	
Distance Range		> 10m/30ft	Bluetooth® SIG Class II
Radio Frequency		2.4Ghz	
Bluetooth Receiver Sensitivity		< -80dBm	
RMS Power @ 14.4V	4Ω	4 x 80W	
	2Ω	4 x 120W	
	4Ω, Bridged	2 x 230W	
Input Level		0.2 ~ 5V	
Crossover Frequency	Low Pass	50~500Hz	
	High Pass	50~500Hz	
Frequency Response		10~35KHz	
Total Harmonic Distortion	4Ω	< 0.1%	
Signal to Noise Ratio		> 90dB	
Channel Separation		> 60dB	
Minimum Load		2Ω	
Bluetooth Transmission		Yes	
Remote Output		Yes	
2.4G External Antenna		Yes	
Overload Protection		Yes	
Overheating Protection		10°C/176°F	
Dimensions (L x W x H) [in/mm]		12.6 x 7.4 x 2.2 / 320 x 188 x 56	

TROUBLESHOOTING

Before removing your amplifier, refer to the list below and follow the suggested procedures. Always test the speakers and their wires first.

No Power

- Make sure you have a good ground connection
- Check that battery is connected to (+) terminal
- Check all fuses. Replace it if necessary
- Make sure the protection LED is not illuminated

Protection LED is on

- Check for short circuits on speaker leads
- Check the speaker load if it's not below the minimum load
- Remove speakers and reset the amplifier
- If the protection LED is still on, the amplifier needs servicing

No Output

- Check that the RCA audio cables are correctly plugged in
- Check all the speaker load wiring
- Check the headunit output and the amplifier level setting

Low Output

- Check that the RCA audio cables are correctly plugged in
- Check all the speaker load wiring
- Check the headunit output and the amplifier input level setting

High "Hissing" Sound

- Check the RCA cables if they are not shorted to power ground at the amplifier side

Distorted Sound

- Check that the input level control is set to match the signal level of the head unit. Always try to set the input level as low as possible.
- Check all the crossover frequencies are properly set
- Check for short circuits on the speaker leads

Overheat

- Check that the minimum load impedance is correct
- Check that there is good air circulation around the amplifier. In some cases, it may be necessary to add an external cooling fan

If the above steps fail to remedy the situation, the system should be checked by an authorized RE Audio Dealer.

Limited Warranty:

RE Audio warrants all manufactured electronic products to be free from defects in material and workmanship for a period not to exceed ONE YEAR from the date of purchase.

IMPORTANT WARRANTY NOTICE: RE Audio will only warrant and service products displaying valid RE Audio serial numbers. ***WARRANTY SERVICE WILL ONLY BE PERFORMED WHEN THE UNIT IS ACCOMPANIED BY A COPY OF THE ORIGINAL SALES RECEIPT FROM AN AUTHORIZED DEALER.*** All product returned to RE Audio for service MUST be accompanied by a Return Authorization Number, issued by RE Audio in advance of shipment. The Return Authorization Number must be clearly and conspicuously displayed on the shipping carton or RE Audio will refuse delivery.

For Return Authorization Numbers, first call your RE Audio dealer you purchased the products from. The dealer will help you to obtain Return Authorization Numbers.

This warranty extends only to the original purchaser and is not transferable. Defective equipment must be returned within the warranty period, freight prepaid, to the RE Audio Factory or an Authorized RE Audio Warranty Station.

This warranty covers only defects in materials and workmanship of manufactured electronic products (amplifiers). Incidents of misuse, abuse, neglect, or unauthorized modification will not be covered within the terms of this warranty.

RE Audio reserves the right to refuse warranty service under such conditions.

RE Audio WILL NOT BE RESPONSIBLE FOR ANY DAMAGES, WHETHER INCIDENTAL OR CONSEQUENTIAL, RELATED TO THE USE OF THIS OR ANY OTHER PRODUCT BEARING OR SOLD UNDER THE RE Audio BRAND NAME. USE THIS PRODUCT AT YOUR OWN RISK. IMPROPER USE OF THIS PRODUCT CAN RESULT IN PROPERTY DAMAGE, BODILY HARM, AND OR OTHER DAMAGE. RE Audio ASSUMES NO RESPONSIBILITY FOR YOUR HEALTH OR SAFETY.

