



PRODUCT SPECIFICATION SHEET

TW-20

25 mm HIGH ENERGY SOFT DOME TWEETER SYSTEM

Dear Customer,

Congratulations on your purchase of a RE AUDIO Loud-speaker System. The TW-20 Tweeter System contains two 25 mm soft dome tweeter units that have been precision-engineered to produce the highest quality audio for your vehicle.

Some consideration before attempting the installation:

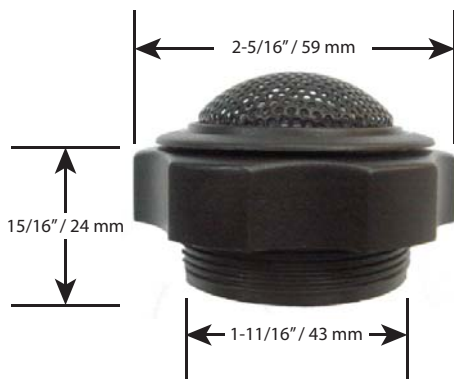
FOR MAXIMUM PERFORMANCE OF THIS RE AUDIO PRODUCT, WE RECOMMEND YOU TO HAVE YOUR NEW TW-20 TWEETER SYSTEM INSTALLED BY AN AUTHORIZED RE AUDIO DEALER / INSTALLER!

PACKAGE CONTENTS

- (2) TW-20 Soft Dome Tweeters
- (1) Mounting Accessories Set
- (2) TPM-20 Tweeter Protection Modules

TECHNICAL DESIGN FEATURES

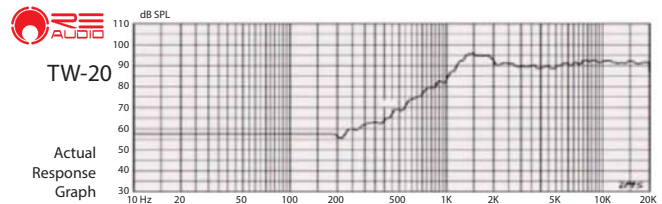
- 25 mm SOFT DOME TWEETER
- OPEN WEAVE SILK DOME DIAPHRAGM
- HEXATECH ALUMINUM VOICE COIL FORMER
- LOW-VISCOSITY FERRO-FLUID COOLING
- PURE COPPER VOICE COIL WIRE
- HIGHEST GRADE NEODYMIUM MAGNET
- LOW RESONANCE FREQUENCY (1500 Hz)



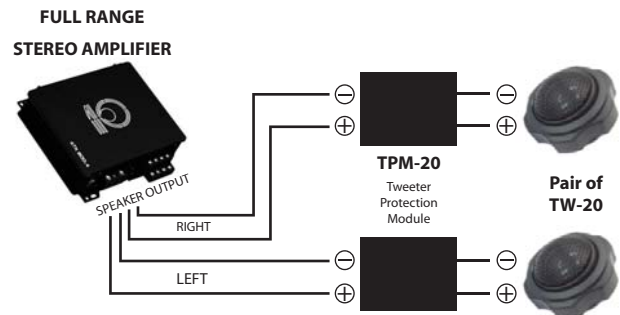
TECHNICAL SPECIFICATIONS

TWEETER MODEL	TW-20
Nominal Diameter	1" / 25 mm
Nominal Impedance	4 ohms
Frequency Response	1500 ~ 20,000 Hz ± 2 dB
Resonance Frequency	1500 Hz
Sensitivity	92 dB
Peak Power Handling	150 Watts*
RMS Power Handling	50 Watts*
Mounting Diameter	1-11/16" / 43 mm
Mounting Depth	15/16" / 24 mm

* When used with supplied TPM-1 modules.



RECOMMENDED WIRING DIAGRAM FOR TW-20 PAIR AND FULL RANGE STEREO AMPLIFIER



LIMITED WARRANTY

RE AUDIO warrants this TW-20 soft dome tweeter set to be free of defects in materials and workmanship for one year from the data of purchase. This is contingent upon being properly installed and approved by an Authorized RE AUDIO dealer.

Abuse of this speaker system due to excessive amplifier power, improper installation, amplifier clipping or physical damage is not covered under warranty.